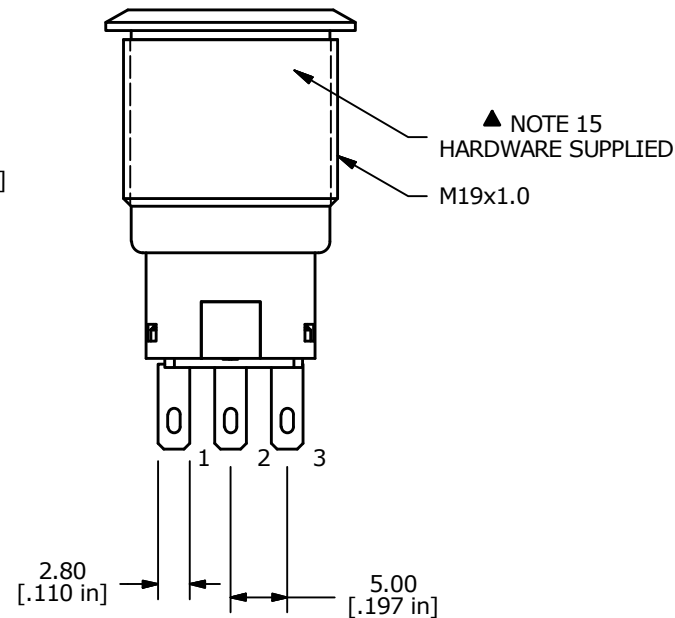
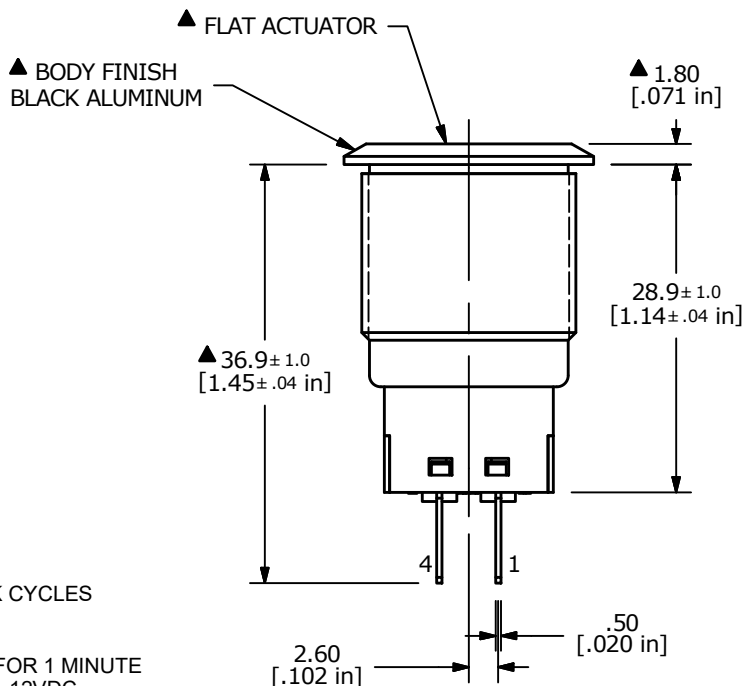
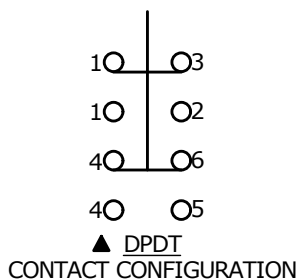
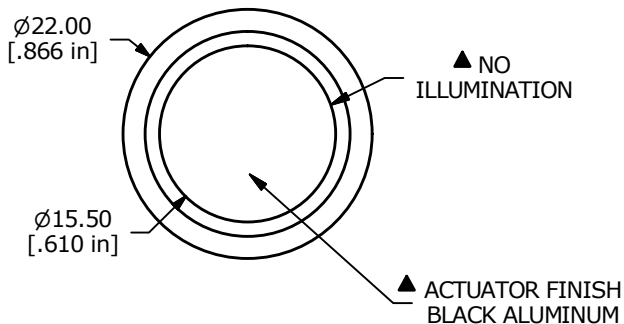


SWITCH FUNCTION	
POS. 1	POS. 2
ON	ON
1-3, 4-6	1-2, 4-5



- NOTE:
1. ALL DIMENSIONS IN MM [INCH]
  2. GENERAL TOLERANCE: X.X=±0.4  
X.XX=±0.25
  3. TERMINAL NUMBERS FOR REF ONLY
  - $\blacktriangle$  4. CONTACT MATERIAL: SILVER
  5. RATING: 2A 24VDC
  6. ELECTRIC LIFE: 50,000 MAKE-AND-BREAK CYCLES AT FULL LOAD.
  7. INSULATION RESISTANCE: 1,000 M $\Omega$  MIN.
  8. DIELECTRIC STRENGTH: 2,000 VAC MIN. FOR 1 MINUTE
  9. CONTACT RESISTANCE: 50m $\Omega$  MAX. @ 1A 12VDC
  10. OPERATING TEMP.: -20°C to 55°C
  - $\blacktriangle$  11. TRAVEL: 2.8mm
  12.  $\blacktriangle$  DENOTES CRITICAL PARAMETER.
  - $\blacktriangle$  13. LAMP VOLTAGE: NO ILLUMINATION
  14. INGRESS PROTECTION: IP65
  15. HARDWARE SUPPLIED: O-RING AND HEXNUT
  16. ILLUMINATION BASE RATING: NO ILLUMINATION



B	23602	UPDATED RATING TO 2A @ 24VDC	10/10/18	MJR
A	20895	RELEASE FOR PRODUCTION	11/28/12	EBP
REV	PCR NO	DESCRIPTION	DATE	BY

TITLE PV4F2G011				
SCALE 3:2	DATE 11/28/2012	DR EBP	DWG 52-PV4F2G011	REV B

THE INFORMATION CONTAINED IN THIS DOCUMENT IS PROPRIETARY TO E-SWITCH AND IS NOT TO BE COPIED OR TRANSFERRED